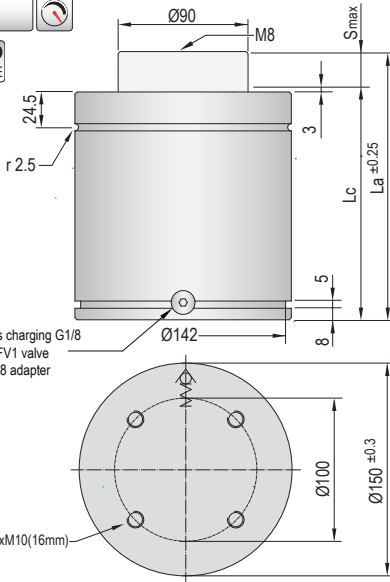


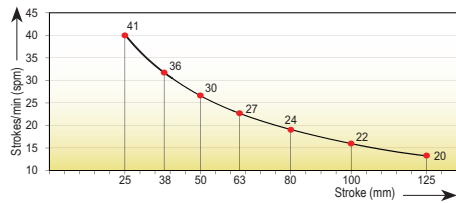
VDI SAFETY



- i** Pressure medium **Nitrogen (N₂)**
- Max. charging pressure **150 Bar**
- Min. charging pressure **35 Bar**
- Rod seal area **63,62 cm²**
- Operating temperature **0°C - 80°C**
- Force increase by temperature **0,33 %/°C**
- Max. stem speed **1,6 m/s**
- Maintenance kit **Kit C10000**

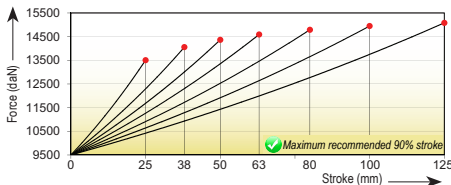


Maximum strokes / minute (at 20°C)

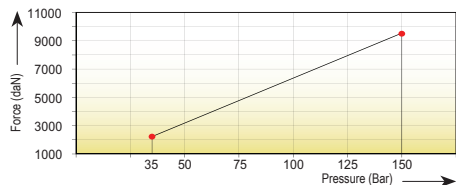


Code	Smax mm	La mm	Lc mm	Fa daN	90% F daN	100% Fc daN	P Bar	V l	Kg		
TPC 10000x25	25	186	161	9500 ±5% (20°C)	13020	13570	150 (20°C)	0,536	19,70		
TPC 10000x38	38	212	174		13475	14120				0,745	21,70
TPC 10000x50	50	236	186		13730	14430				0,939	22,90
TPC 10000x63	63	262	199		13910	14655				1,149	24,10
TPC 10000x80	80	296	216		14075	14860				1,422	26,40
TPC 10000x100	100	336	236		14200	15015				1,745	29,60
TPC 10000x125	125	386	261		14310	15150				2,148	31,50

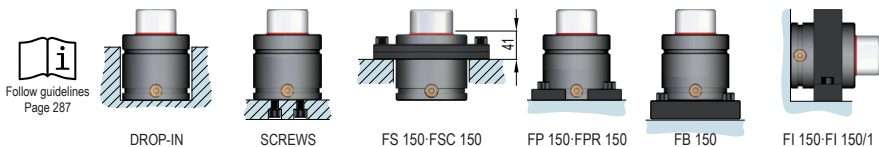
Force/stroke ratio



Initial force/charging pressure ratio



Assembly possibilities



Follow guidelines
Page 287