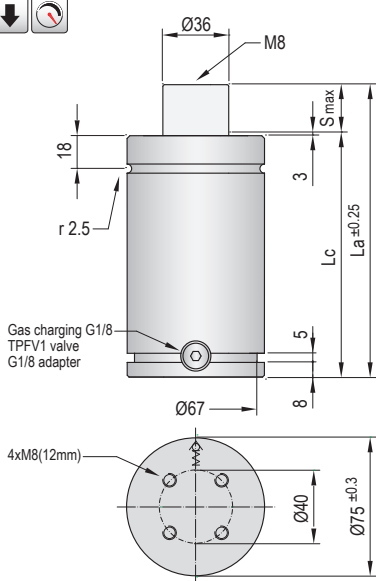
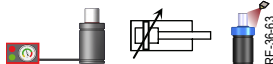


VDI SAFETY



Pressure medium	Nitrogen (N ₂)
Max. charging pressure	150 Bar
Min. charging pressure	35 Bar
Rod seal area	10,18 cm ²
Operating temperature	0°C - 80°C
Force increase by temperature	0,33 %/°C
Max. stem speed	12 m/min
Maintenance kit	Kit SR1500
Recommended max. strokes/min	2 - 8 spm

ISO
STANDARD
DIMENSIONS



Required data

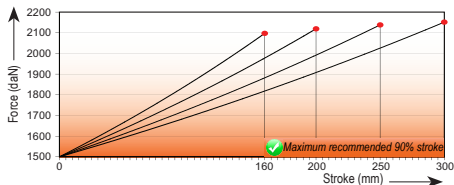
Working stroke	(mm)
Press speed	(m/min)
Maximum production rate	(spm)
Gas spring expansion speed	(m/min)



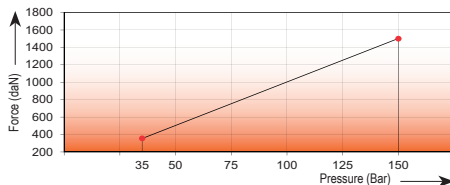
Code	Smax mm	La mm	Lc mm	Fa daN	90% F daN	100% Fc daN	P Bar	V l	Kg		
TPSRC 1500x160	160	430	270	1500 ±5% (20° C)	2025	2105	148 (20°C)	0,572	6,10		
TPSRC 1500x200	200	510	310		2045	2130				0,697	7,15
TPSRC 1500x250	250	610	360		2060	2145				0,853	7,86
TPSRC 1500x300	300	710	410		2070	2160				1,008	8,86

(Other strokes under order)

Force/stroke ratio



Initial force/charging pressure ratio



Assembly possibilities

