

i

MICRO

TITAN

TPH

TPS

TPF

TPK

TPC

TPCT

TPB

TPR

TPA

TPG

TPMC

TPSR

TPNS

TPSRS

TPHT

TPH

TPH

TPH

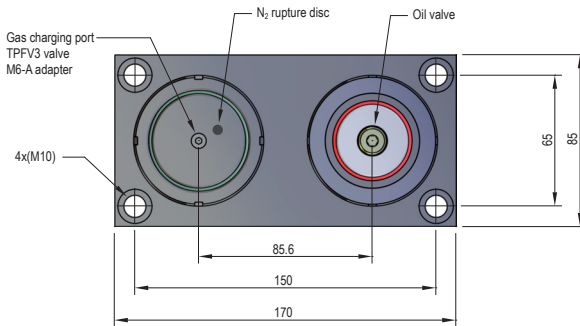
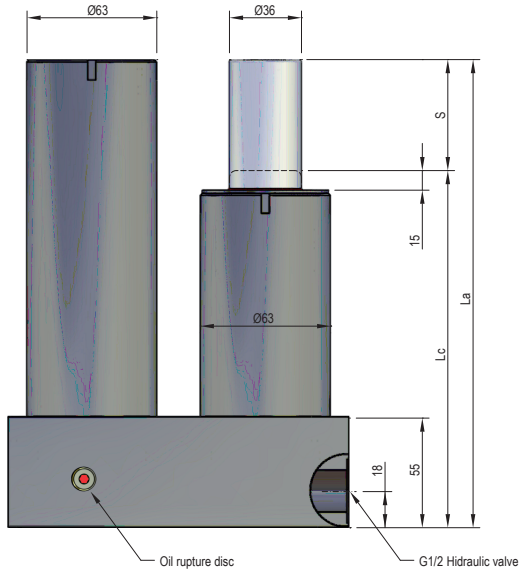
TPH

TPH

TPH

TPH

TPH



TPGAS 06 07-2015

Code	Smax mm	La mm	Lc mm	Max. operation force	Charging N <sub>2</sub> pressure		Max. working specifications		Max. working temperature
					Min.	Max.	Velocity	Strokes / min	
TPCH 3000x25	25	183	158	3000 daN	50 Bar	150 Bar	20 m/min	40 spm	60 °C
TPCH 3000x50	50	233	183					30 spm	
TPCH 3000x80	80	293	213					20 spm	