

i

MICRO

TITAN

TPH

TPS

TPF

TPK

TPC

TPCT

TPB

TPR

TPA

TPG

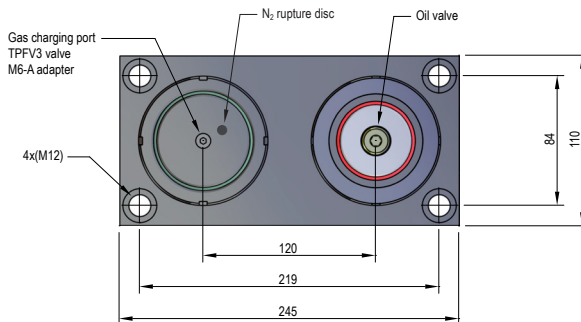
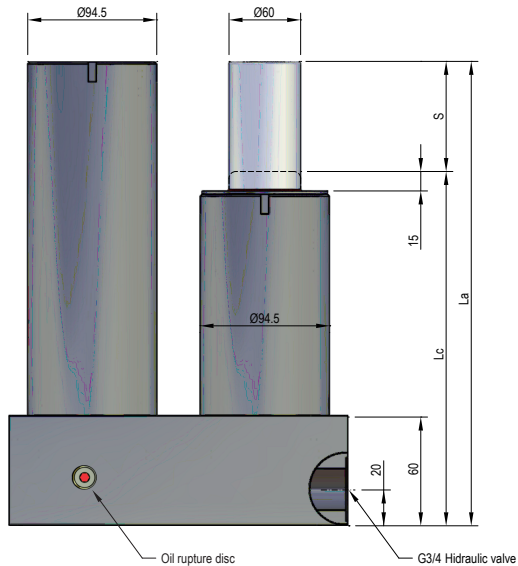
TPMC

TPSR

TPNS

TPSRS

TPHT



TPGAS 06 07-2015

Code	Smax mm	La mm	Lc mm	Max. operation force	Charging N <sub>2</sub> pressure		Max. working specifications		Max. working temperature
					Min.	Max.	Velocity	Strokes / min	
TPCH 7500x25	25	205	180	7500 daN	50 Bar	150 Bar	20 m/min	40 spm	60 °C
TPCH 7500x50	50	255	205					30 spm	
TPCH 7500x80	80	315	235					20 spm	